

Ballabio S.r.l. Stainless Steel Components

Via Saragat, 4
20054 - Nova Milanese (MI) ITALIA
Tel. 0039.0362.334080 - Fax 0039.0362.334768
info@ballabioweb.com www.ballabioweb.com



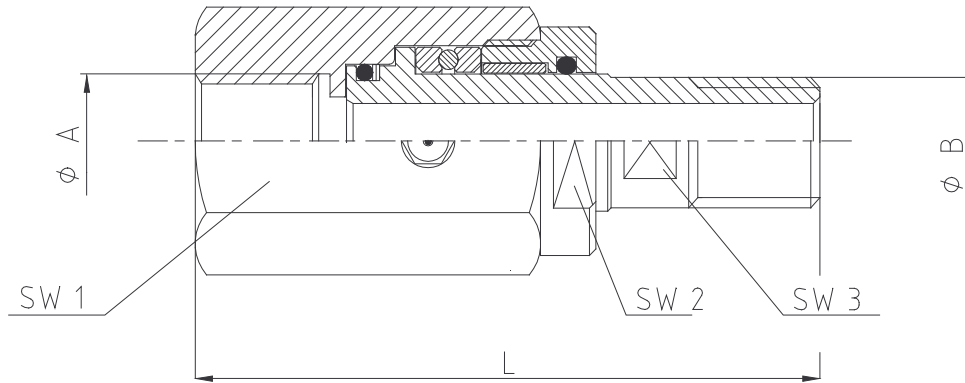
Swivel Joints **Slow Speed**

Giunti Girevoli in Linea - Rotaz. lenta

Acciaio al Carbonio Zincato e AISI 316

Straight Swivel Joint - Slow Speed

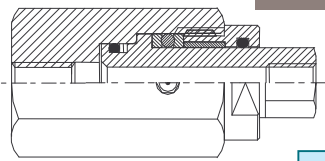
Yellow passivated Carbon Steel or 316 Stainless Steel



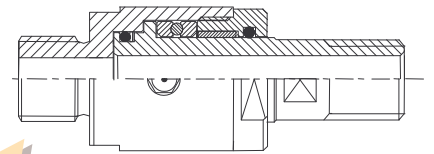
Usati nel collegamento di due elementi oleoidraulici in rotazione uno rispetto all'altro, evitando torsioni.
They connect two oil/hydraulic elements rotating with respect to the other, avoiding twisting

Su richiesta diverse combinazioni fra i $\varnothing A$ e B
On request different combinations between $\varnothing A$ e B

Velocità di rotazione: 5 – 10 giri/min
Rotation Speed: 5 – 10 rpm



Special FF GGL or GGN



Special MM GGL or GGN

In Inox anche: F-F o M-M
Filettature BSPP standard /altro a richiesta

Stainless Steel also: F-F or M-M
Standard Thread: BSPP/ else on request

$\varnothing A$ -xx inch	$\varnothing B$ inch	L mm.	SW 1 mm.	SW 2 mm.	SW 3 mm.	WP bar
1/4"-06	1/4"	75	27	24	11	350
3/8"-09	3/8"	88	34	30	14	350
1/2"-13	1/2"	101	36	32	18	300
3/4"-19	3/4"	110	45 Inox Hex 46	40	24	250
1"-25	1"	124	55 Inox $\varnothing 55$	50	30	250
1" 1/4-30	1" 1/4	129	60 Inox $\varnothing 60$	55	38	180
1" 1/2-40	1" 1/2	138	75 Inox $\varnothing 75$	68	41	150
2"-50	2"	149	85 Inox $\varnothing 85$	80	55	150

ORDER CODE: GGLXX

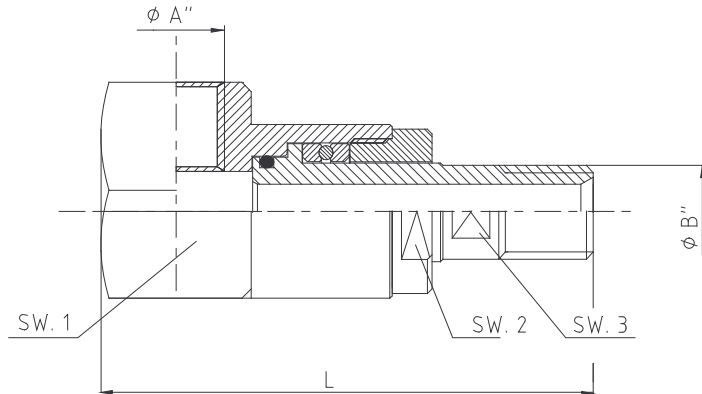
Ex. 1/2" Stainless Steel: GGL13/SS

Giunti Girevoli a 90° - Rotaz. Lenta

Acciaio al Carbonio Zincato o AISI 316

90° Swivel Joint - Slow speed

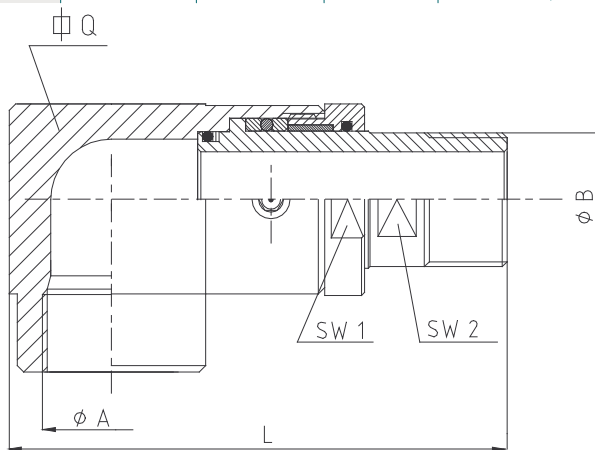
Yellow passivated carbon Steel or 316 SS



Velocità di rotazione: 5-10 giri/min.
Rotation Speed: 5-10 rpm

Su richiesta diverse combinazioni fra i ϕA e B .
On request different combinations between ϕA e B .

ϕA -xx inch	ϕB mm.	L mm.	SW 1 mm.	SW 2 mm.	SW 3 mm.	P max bar
1/4"-06	1/4"	78	32	21	11	350
3/8"-09	3/8"	98	38 Inox Hex 36	27	14	300
1/2"-13	1/2"	106	46	32	18	300
3/4"-19	3/4"	118	50	37	24	250
1"-25	1"	142	60	46	30	250



Filettatura standard BSPP / altro a richiesta.
In Inox anche F-F M-M

Standard Threads: BSPP/ else on request
Stainless Steel also F-F M-M

Oltre 1": Corpo Quadro Tornito
Over 1": Square Body Lathed

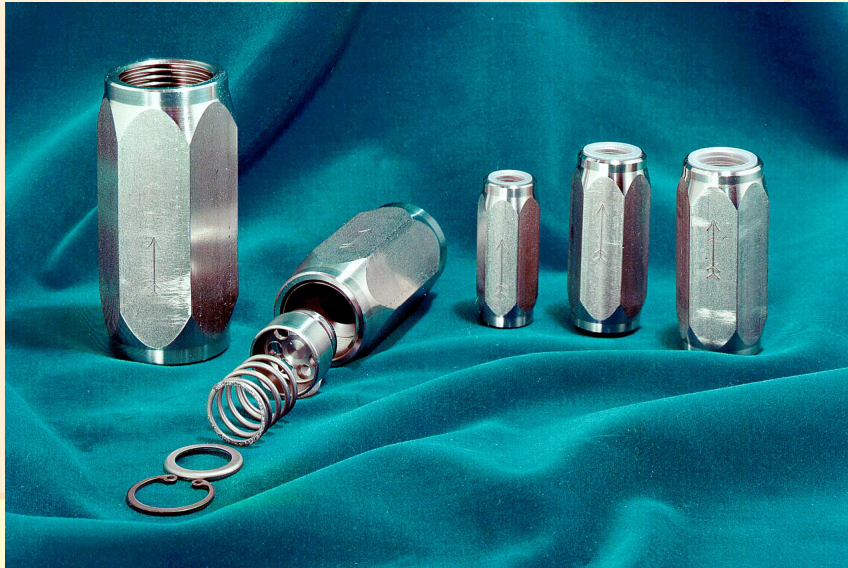
ϕA -xx inch	ϕB inch	L mm.	SW 1 mm.	SW 2 mm.	Q mm.	WP bar
1"1/4-30	1" 1/4	155	55	38	60	180
1"1/2-40	1" 1/2	170	70	41	75	150
2"-50	2"	190	80	55	85	150

ORDER CODE: GGNXX

Ex. 3/4" Stainless Steel: GGN19/SS

Ballabio S.r.l.
Stainless Steel Components

Via Saragat, 4
20054 - Nova Milanese (MI) ITALIA
Tel. 0039.0362.334080 - Fax 0039.0362.334768
info@ballabioweb.com www.ballabioweb.com



No-Return Valves
AISI 316

Valvole per flusso unidirezionale

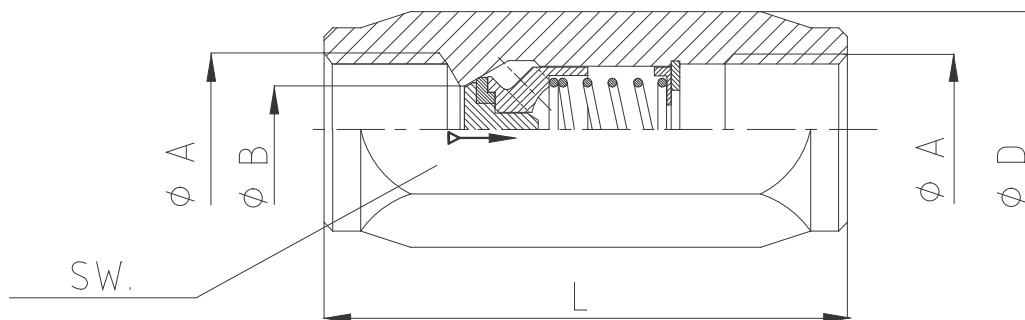
Acciaio Inox AISI 316

No-Return Valves

316 Stainless steel

Apertura Standard 0.5 bar - Su richiesta fino a 8 bar
 Standard Cracking Point 0.5 bar - On request up to 8 bar

Guarnizioni in Viton Standard/Altro a richiesta
 Standard Viton Seals/Else on request



ØA-xx inch	L mm.	SW mm.	Ø B mm.	S mm ²	WP Bar	M Kg.
1/8"-04	42	14	5	18	350	0.05
1/4"-06	50	19	7	22	350	0.09
3/8"-09	60	24	10	42	350	0.16
1/2"-13	65	27	11	75	350	0.28
3/4"-19	75	34	17	126	300	0.35
1"-25	93	41	21	230	250	0.58
1" 1/4-30	110	50	29	340	250	0.96
1" 1/2-40	112	55	34	509	250	1.02
2"-50	120	75	48	1640	200	2.20

ORDER CODE: 90XX